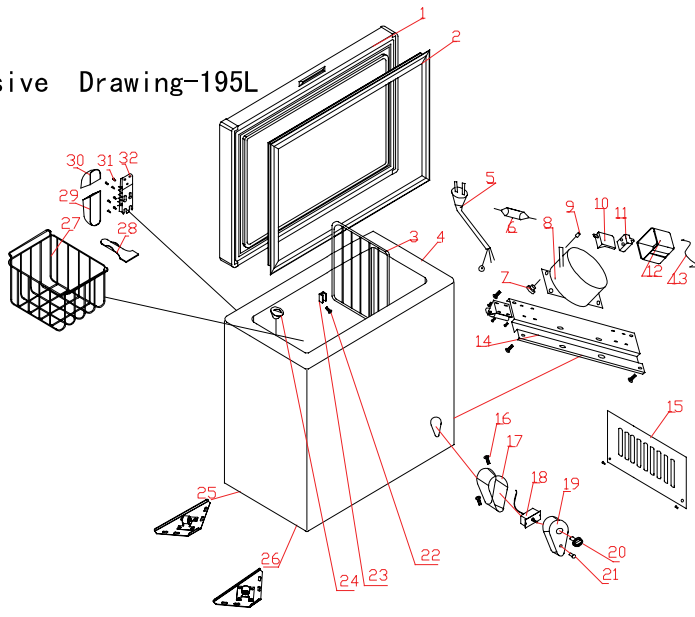


Explosive Drawing-195L



PFR695M-Exploded Drawing

No.	Part Number	Part Name	Qty (pcs)	Remark
1	503700150033	Door	1	
2	501119550005	Gasket	1	
3	502901050004	Separation	1	
4	503705050460	Cabinet	1	
5	502401000008	Power Supply Cord	1	
6	501602000034	Drier	1	
7	501440500103 (GTH53AD)	Grommet	4	
8		Compressor	1	
9		Screw	4	
10		Overload Protecort	1	
11		PTC Starter	1	
12		Relay Cover	1	
13		Relay Band	1	
14	500715050062	Compressor Base	1	
15	501215050126	Shutter	1	
16		Screw	2	
17	501114550003	Thermostat Cover	1	
18	502407000229	Thermostat	1	
19	501114550002	Control Board	1	
20	501105040016	Thermostat Knob	1	
21	502410000040	Power Light	1	
22		Screw	4	
23	501115050009	Oriented Notch	4	
24	501115050066	Inner Cover	1	
25	500715050079	Cabinet Base 2	1	
26	500715050078	Cabinet Base 1	1	
27	502901000046	Rack	1	
28	501105040009	Ice Shovel	1	
29	501115050156	Down Hinge Cover	2	
30	501115050155	Upper Hinge Cover	2	
31		Screw	14	
32	502905050005	Hinge	2	