

BUILT-IN OVEN

MODEL: PBO1004M (MAX POWER:3100W 220-240V ~ 50/60Hz)

SERVICE MANUAL

CAUTION

BEFORE SERVICING THE UNIT, READ THE SAFETY PRECAUTIONS IN THIS MANUAL

CONTENTS

SPECIFICATIONS	1
TECHNICAL INFORMATION.....	1
INSTALLATIONS	2
SAFETY PRECAUTIONS FOR INSTALLATION.....	2
INSTALLATION OF OVEN.....	3
SCHEMATIC DIAGRAM	4
SERVICE INFORMATION	5
NECESSARY TOOLS.....	5
DISASSEMBLY AND ADJUSTMENT.....	5
COMPONENTS TEST PROCEDURE	7
TROUBLESHOOTING	8
EXPLODE VIEW	10
COMPONENTS LIST	15

SPECIFICATIONS

Technical information

Type-model	PBO1004M
Dimensions of the appliance (height/width/depth) (mm)	595x595x548
Dimensions for mounting (height/width/depth) (mm)	668x648x688
Electric connection	AC 220-240 V 50/60Hz
Max. temperature	250°C
Oven	
Temperature regulator/ function mode switch	1/1
Guide levels	5
Top heater (kW)	2.0
Bottom heater (kW)	1.1
Oven Lamp: top (W)	25
Function modes	
Top/bottom heater (kW)	3.1
Top heater (kW)	2.0
Bottom heater (kW)	1.1
Cooling ventilator motor (W)	23
Lamp (W)	25
Max connected power (kW)	3.1

INSTALLATIONS

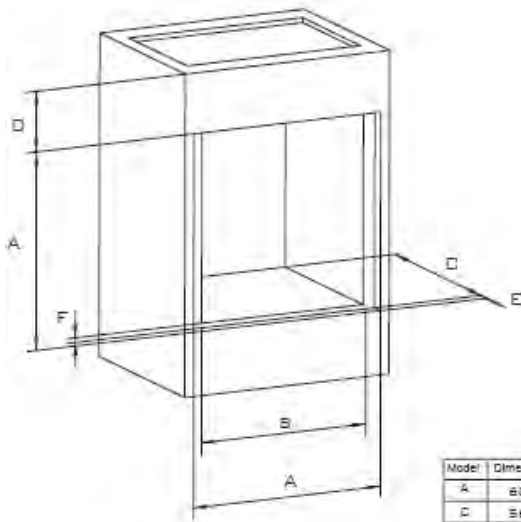
BEFORE YOU BEGIN, READ THE FOLLOWING INSTRUCTIONS COMPLETELY AND CAREFULLY.

Safety precautions for installation

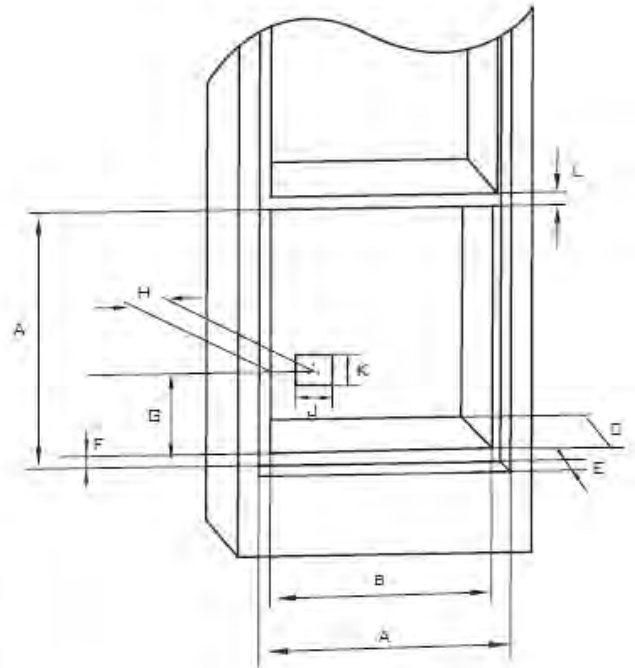
1. The electric installation shall be equipped with a safety device, able to disconnect the appliance from mains in all wires, with the distance between contacts of not less than 3mm in open position. Good protection is provided by the LS-switches and/or fuses.
2. The connection may be carried out by rubber mains lead (type HO5RR-F with green/yellow earth wire), PVC insulated mains lead (type H05VV-F with green/yellow earth wire) or other cables of equal or better quality.
3. Panels, glue and furniture lining from artificial materials, adjacent to the appliance must be temperature resistant (>75°C), otherwise they might be deformed.
4. Remove any packaging materials (foils, artificial foam, nails, etc.) from the reach of children, because they represent potential danger. Children may swallow small parts, or suffocate with foils.

Installation of oven

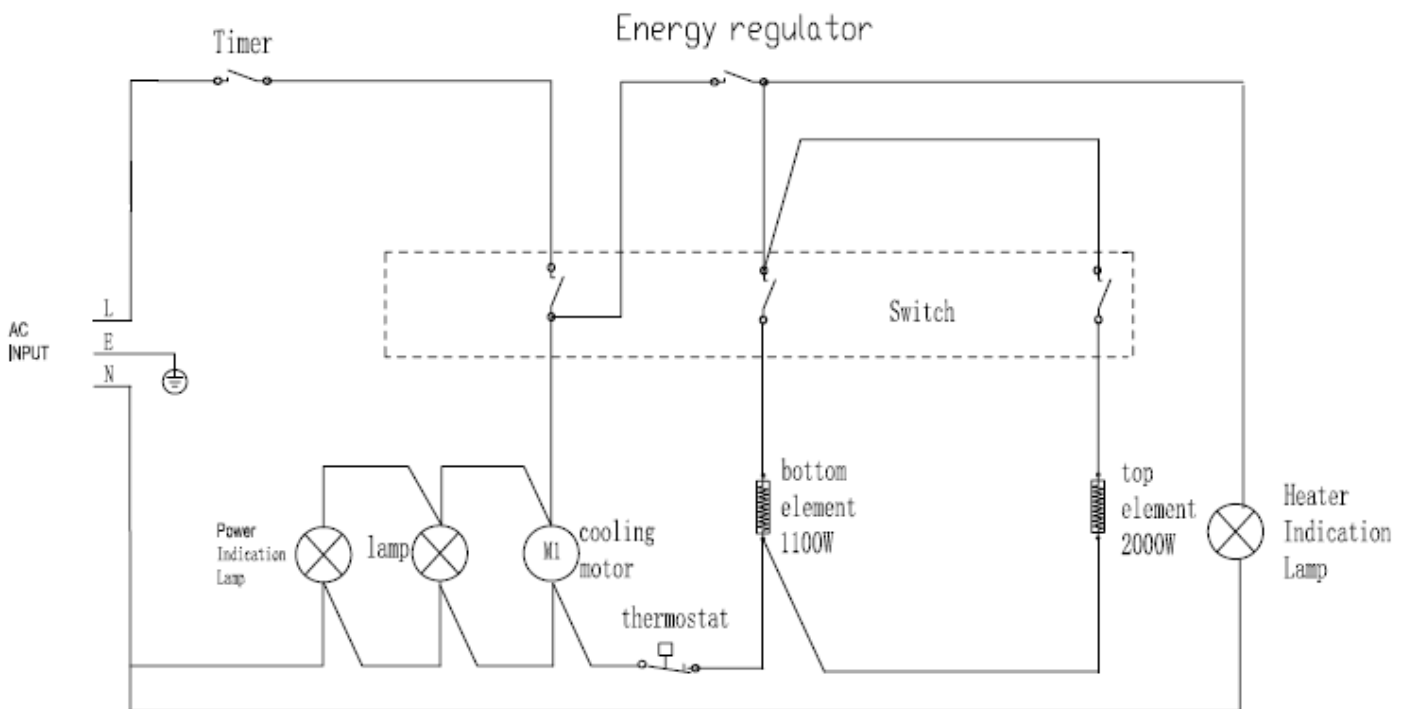
1. Panels and furniture lining of the kitchen cabinet receiving the hob must be treated with temperature resistant adhesives (100°C), otherwise they might be discoloured or deformed because of inadequate temperature resistance.
2. Before installation you must remove the rear panel from the kitchen cabinet in the area of installation.
3. Follow the exact dimensions of the installation aperture, indicated on the illustration.
4. Bottom of the kitchen cabinet (max 530 mm) must always be shorter than side panels in order to provide adequate ventilation.
5. Level the kitchen cabinet using the spirit level.
6. Kitchen cabinet carrying the installed appliance must be fixed to the adjacent cabinet to ensure adequate stability.
7. Push the appliance into the cabinet so that screw guides located in the oven frame holes stay on the cabinet side panels. Be careful not to tighten the screws excessively because you may damage the cabinet sides or the enamel of the appliance.



Model	Dimension(mm)	Model	Dimension(mm)
A	600+±	8	565+±
C	560+±	D	90
E	24+±	F	5
B	118+±	H	118+±
J	80+±	K	70+±
L	25+±		



SCHEMATIC DIAGRAM



SERVICE INFORMATION

NECESSARY TOOLS

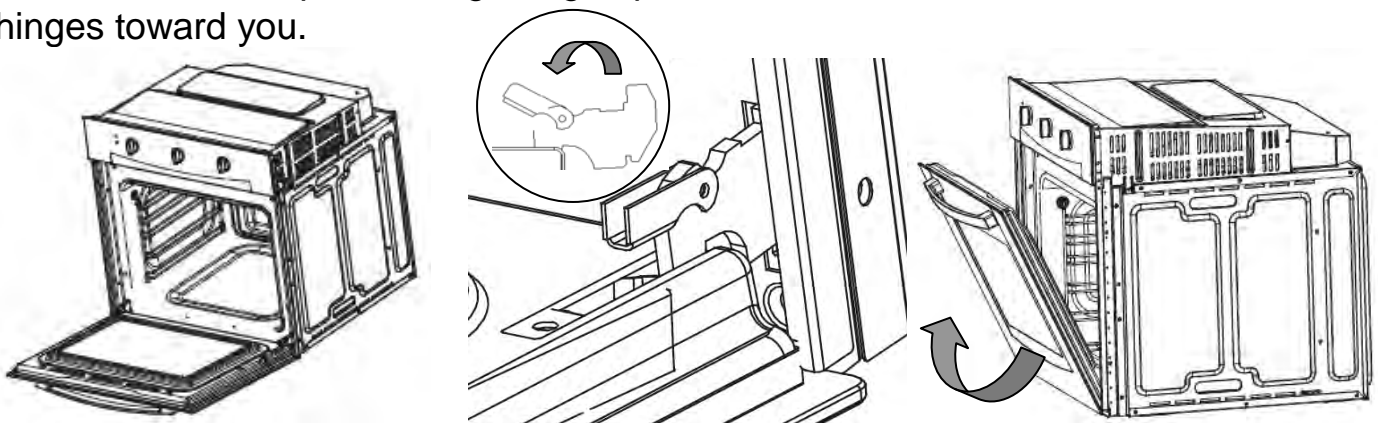
Standard tools are listed below.

- Diagonal pliers
- Long nose pliers
- Phillips screwdriver
- Flat blade screwdriver
- Wrench (size 5mm)
- Nut driver (size 5mm)
- Adjustable wrench
- Soldering iron
- Solder
- Vinyl insulation tape
- Polishing cloth
- DC Volts Tester
- AC Volts Tester
- Ohmmeter Tester

DISASSEMBLY AND ADJUSTMENT

A. DOOR REMOVAL

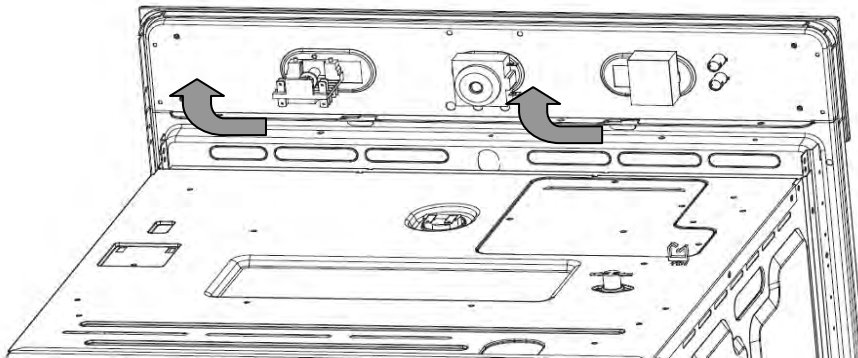
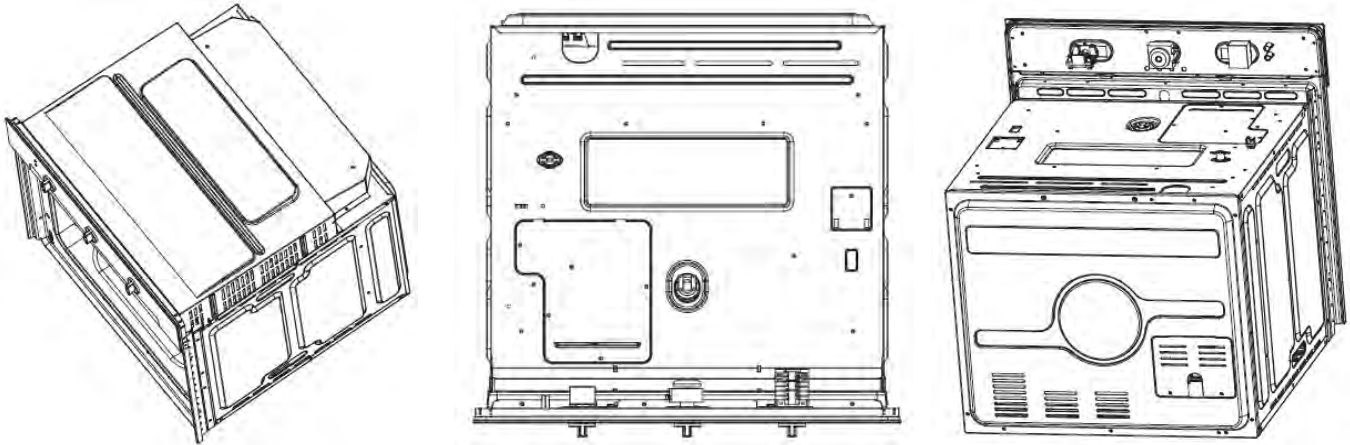
- 1) Disconnect the power supply cord
- 2) Pull the oven door to the horizontal level.
- 3) Move the catch levels of hinges on both sides to the fully open position.
- 4) Hold the door up to 60 degree, grasp the door with both hands and lift it Out of the hinges toward you.



CAUTION: Be careful not to damage door when remove it.

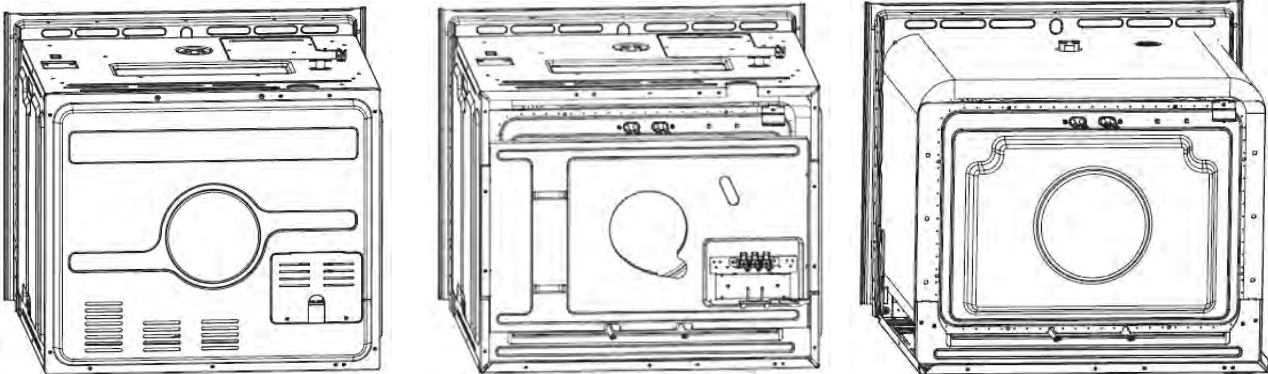
B. CONTROL PANEL & HOUSING REMOVAL

- 1) Remove the screws for securing the control panel and top housing.
- 2) Remove the control panel housing and control panel back housing.
- 3) Disconnect terminals, and remove screws of earth terminals.
- 4) Remove the cooling motor parts.
- 5) Remove the control panel parts.



C. BACK HOUSING REMOVAL

- 1) Remove the screws holding the back housing.
- 2) Remove the back housing.
- 3) Disconnect terminals, and remove the screws of insulation support, remove the insulation and its support.
- 4) Remove the convection housing.



COMPONENTS TEST PROCEDURE

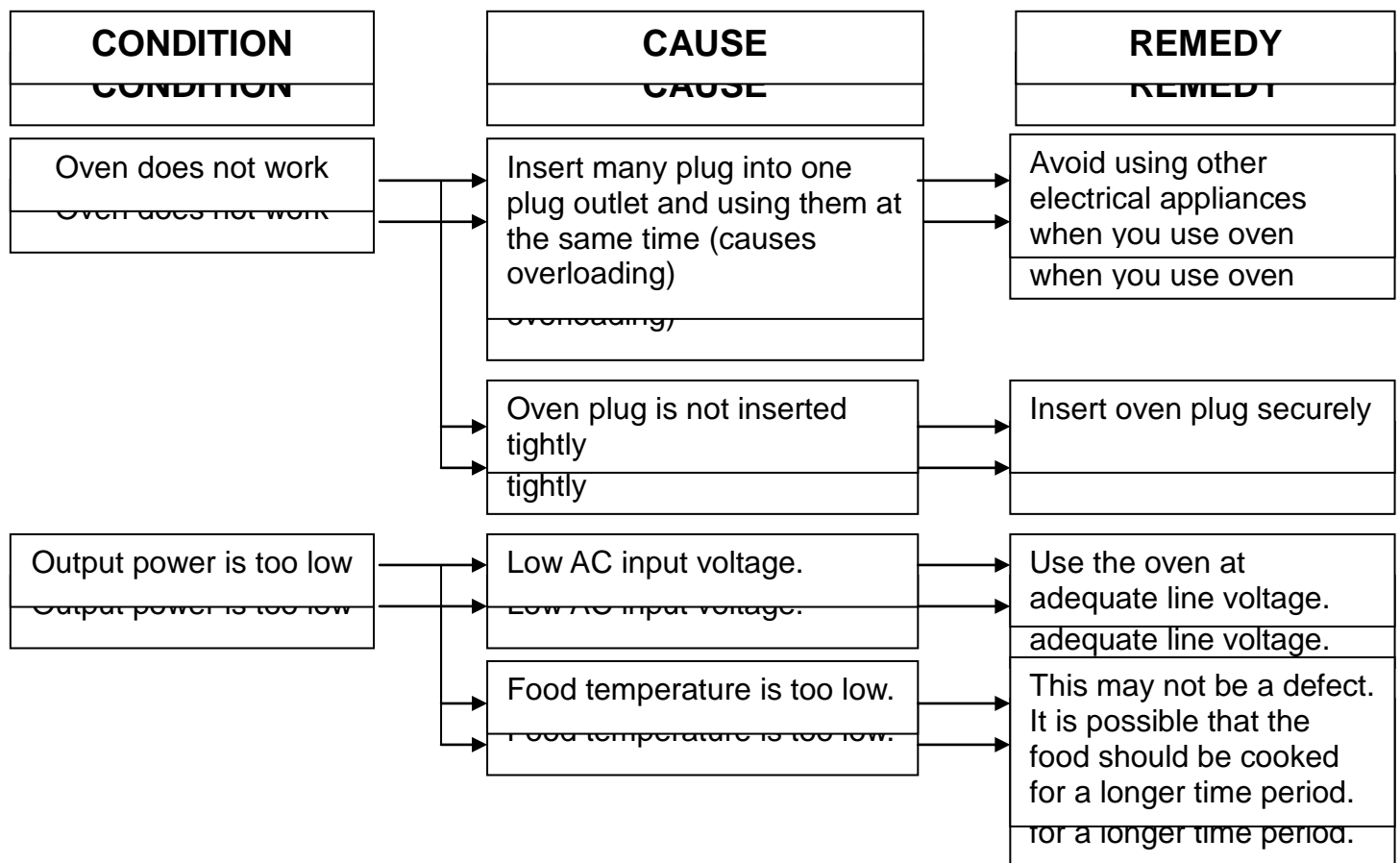
COMPONENTS	TEST PROCEDURE	RESULTS
Top Heater (wire leads removed)	Measure the resistance (ohm-meter scale: $R \times 100$)	Normal: Less than 70Ω , Abnormal: ∞ or several Ω
Bottom Heater (wire leads removed)	Measure the resistance (ohm-meter scale: $R \times 100$)	Normal: Less than 65Ω , Abnormal: ∞ or several Ω
Lamp (wire leads removed)	Measure the resistance (ohm-meter scale: $R \times 100$)	Normal: Less than 31Ω , Abnormal: ∞ or several Ω
Cooling Motor (wire leads removed)	Measure the resistance (ohm-meter scale: $R \times 100$)	Normal: Less than 168Ω , Abnormal: ∞ or several Ω
Thermal cut-out	Measure the resistance (ohm-meter scale: $R \times 100$)	Normal: Less than 1Ω , Abnormal: ∞

TROUBLESHOOTING

WHEN YOU GET A COMPLAINT FROM YOUR CUSTOMER, EVALUATE THE COMPLAINT CAREFULLY. IF THE FOLLOWING SYMPTOMS APPLY, PLEASE INSTRUCT THE CUSTOMER IN THE PROPER USE OF THE OVEN. THIS CAN ELIMINATE AN UNNECESSARY SERVICE CALL.

CAUTIONS

1. Check grounding before checking for trouble.
2. Be careful of the high voltage circuit.
3. When checking the continuity of the switches or of the high voltage transformer, disconnect one lead wire from these parts and then check continuity with the AC plug removed. To do otherwise may result in a false reading or damage to your meter.

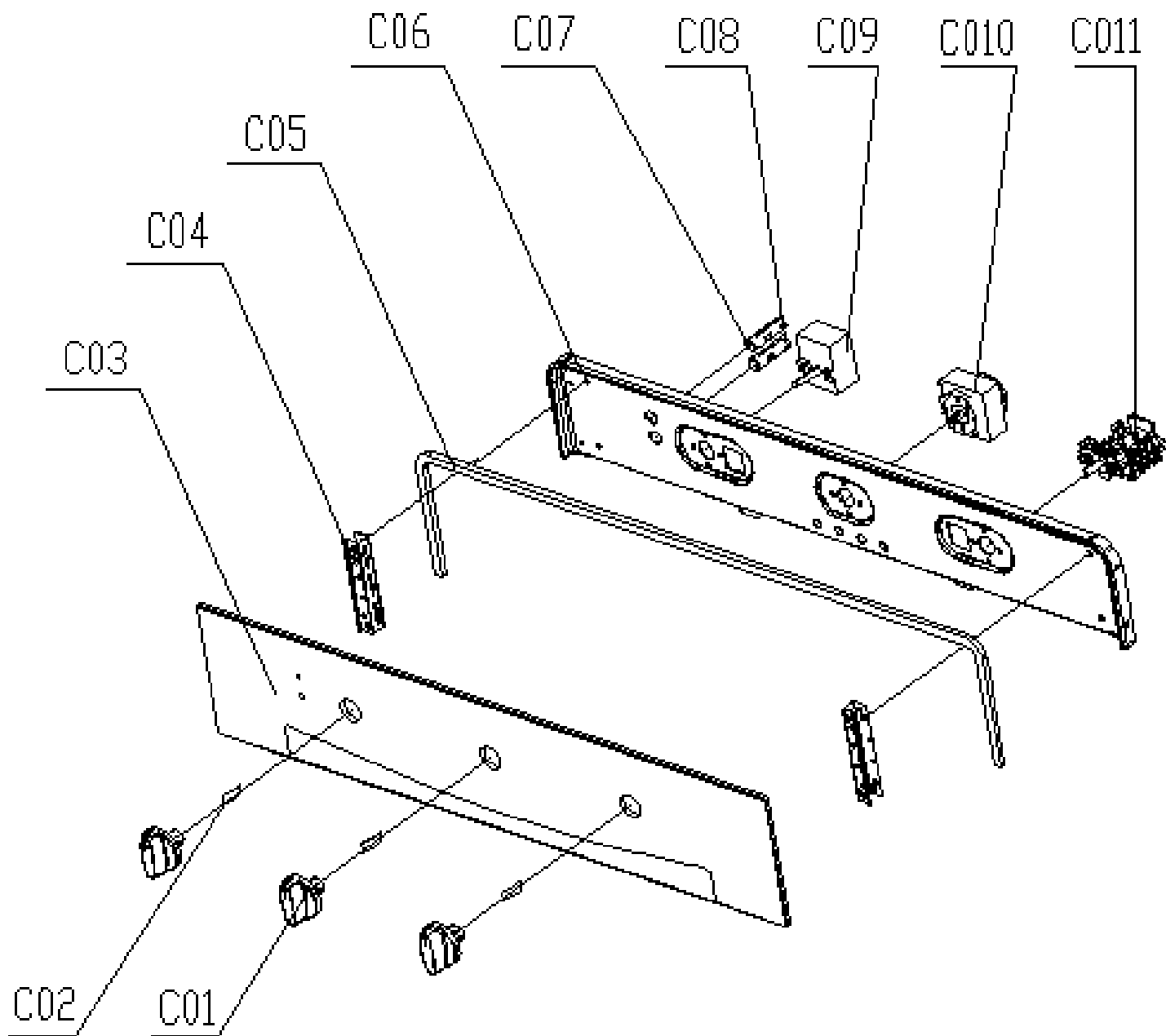


Check the
thermal
cut-out

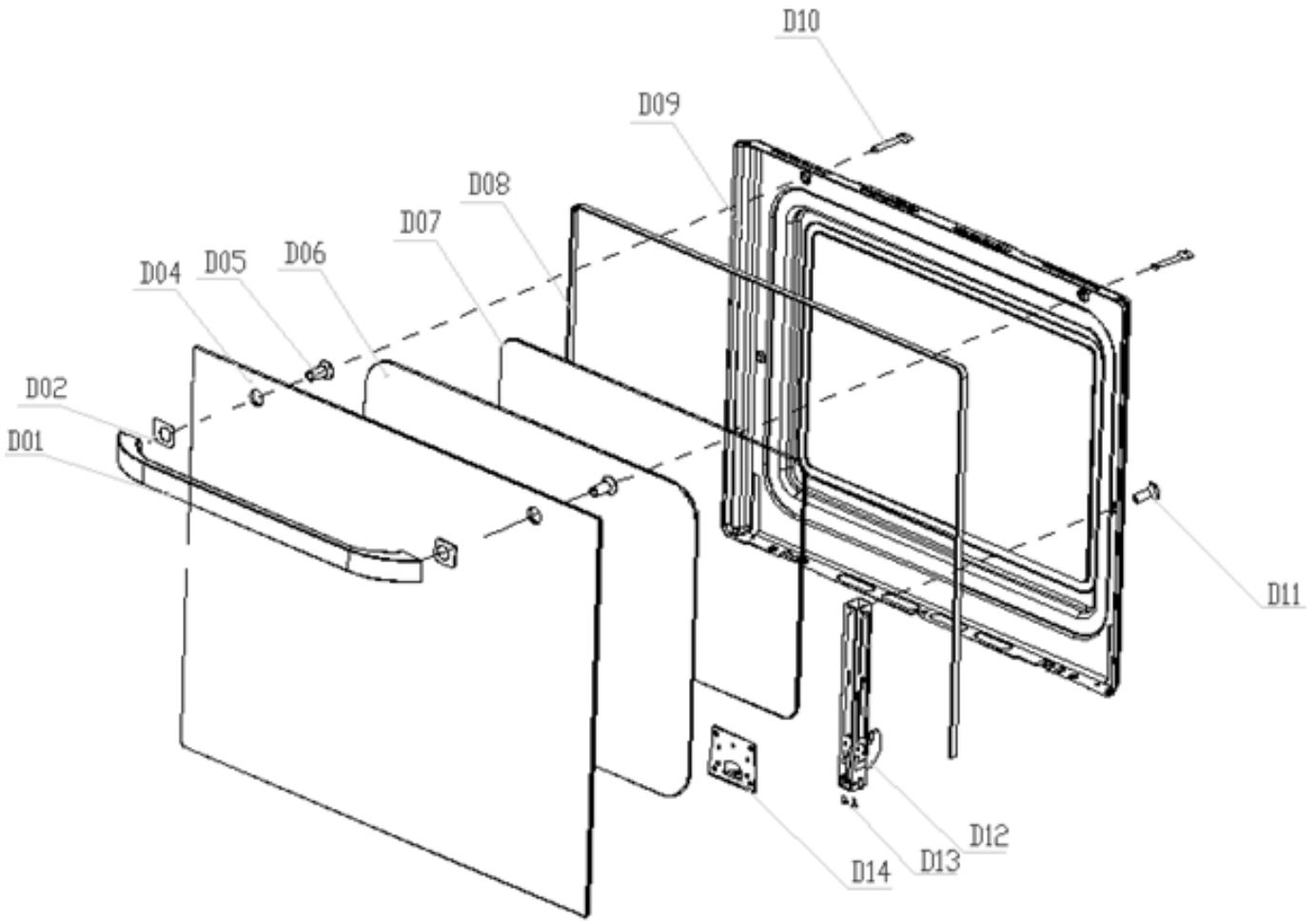
Faulty
thermal
cut-out

EXPLODED VIEW

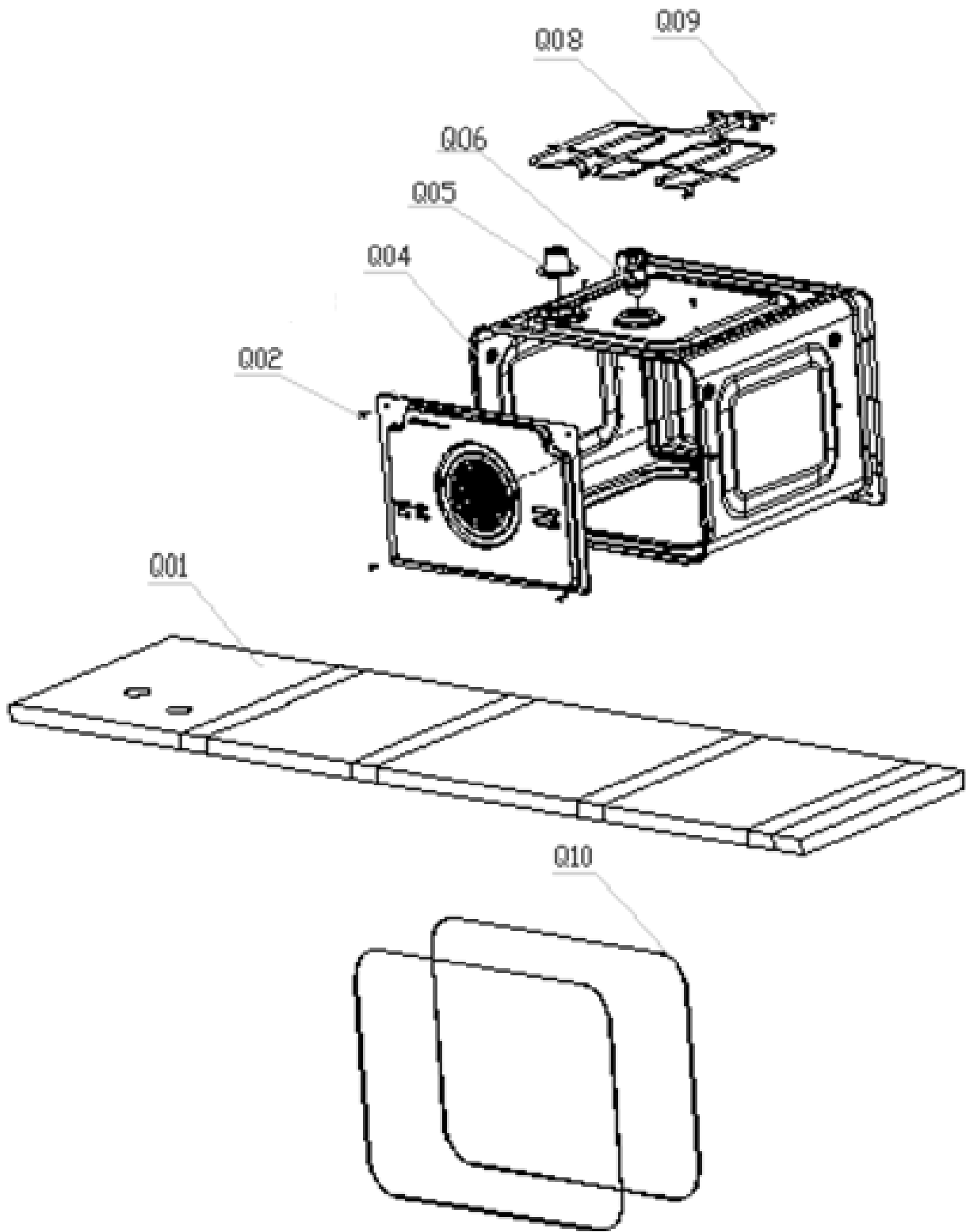
CONTROL PANEL PARTS



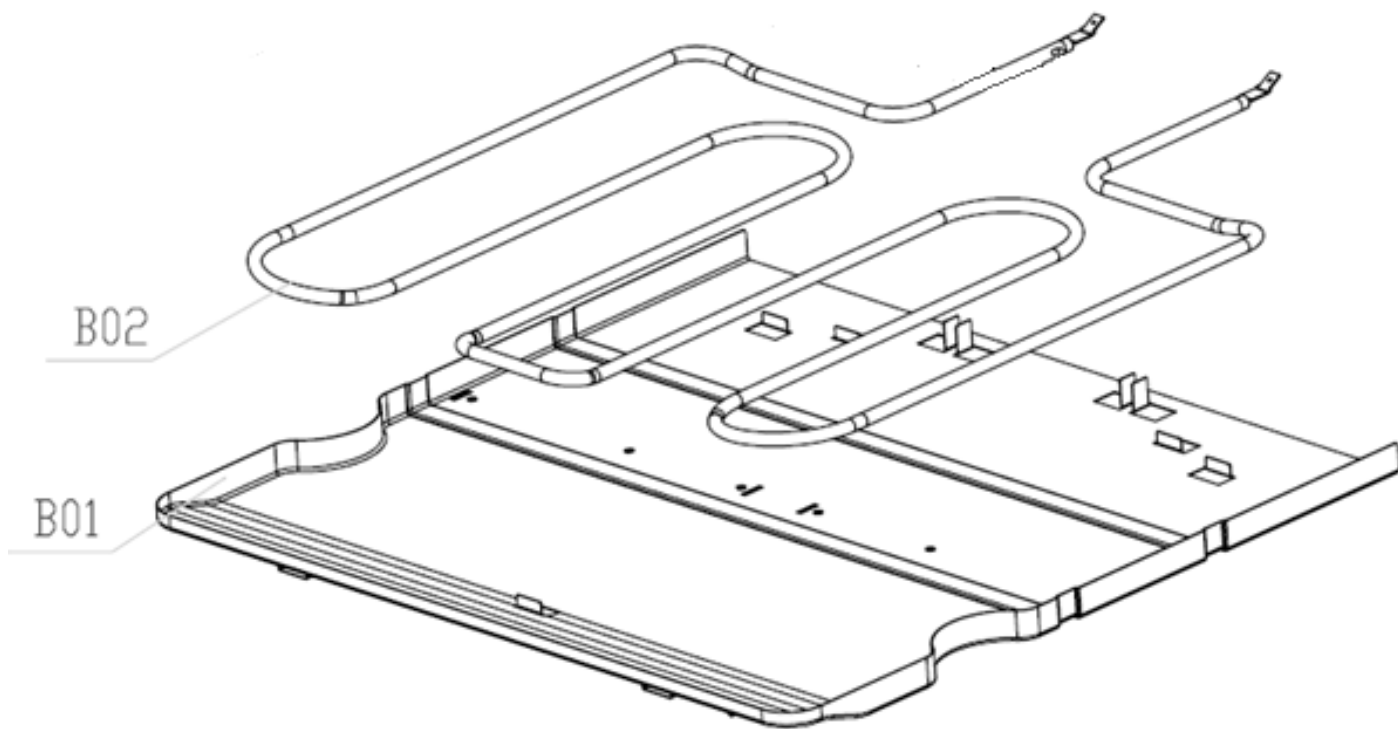
DOOR PARTS



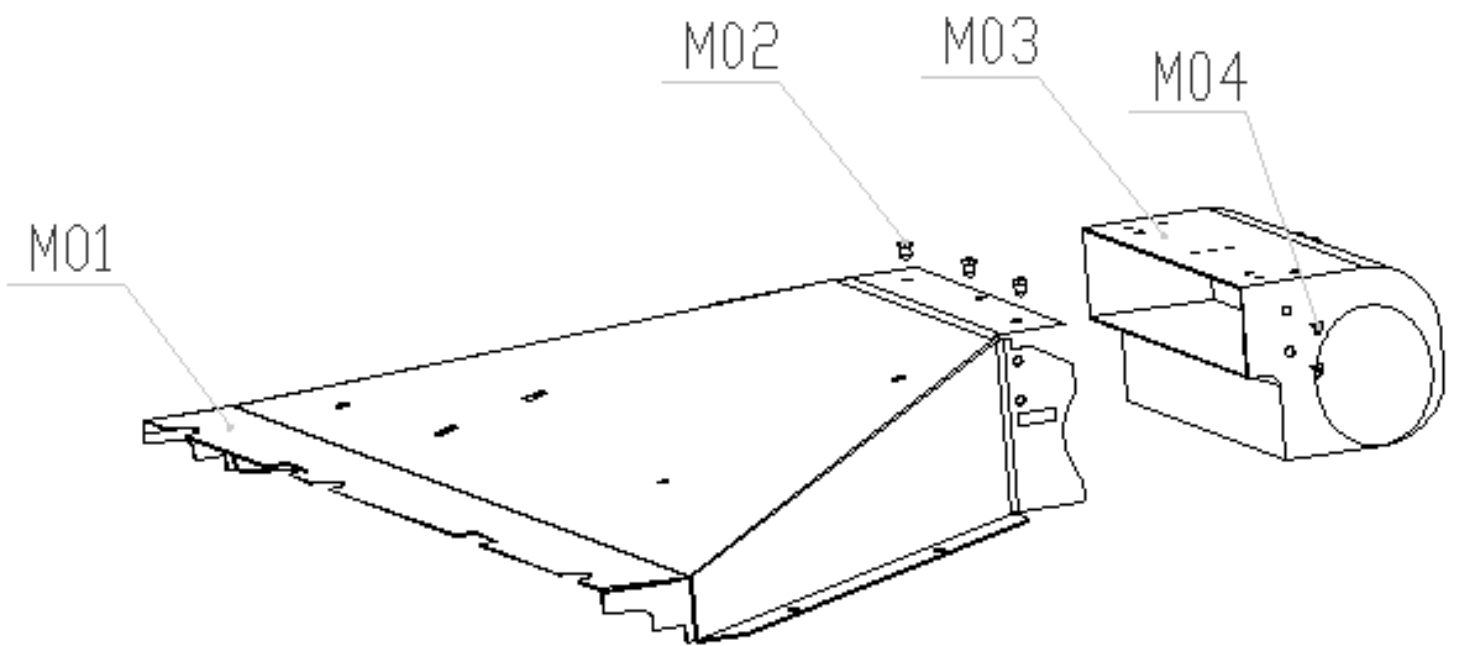
CAVITY PARTS



BOTTOM HEATER PARTS



COOLING MOTOR PARTS



COMPONENTS LIST

No.	Part name	Quantity
C01	Knob	3
C02	Knob leaf spring	3
C03	Control Panel	1
C04	Control Panel Bracket	1
C05	Control Panel Sponge	1
C06	Control Panel Frame	2
C07	Indicate Light	2
C08	Indicate Light Cover	2
C09	Energy Regulator	4
C10	Timer	4
C11	Function Switch	1
D01	Door Handle	1
D02	Door Handle Gasket	2
D04	Door Outer Glass	2
D05	Door Handle Bracket	1
D06	Door Middle Glass	2
D07	Door Inner Glass	1
D08	Door Seal	1
D09	Door	1
D10	Screw M5*33	2
D11	Screw M5*10	2
D12	Hinge	2
D13	Screw ST3.5*10	4
D14	Door Bracket	1
Q01	Cavity Insulation	1
Q02	Screw ST4.0*10 Black	4
Q04	Cavity Assembly	1
C05	Ventilation	1
Q06	Lamp	1
Q08	Top Heater	1
Q09	Nut M4	4
Q10	Wire	1
B01	Bottom Heater Housing	1
B02	Bottom Heater	1
M01	Air Deflection Vane	1
M02	Screw ST4*10	3
M03	Cooling Motor	1
M04	Screw ST3*8	4