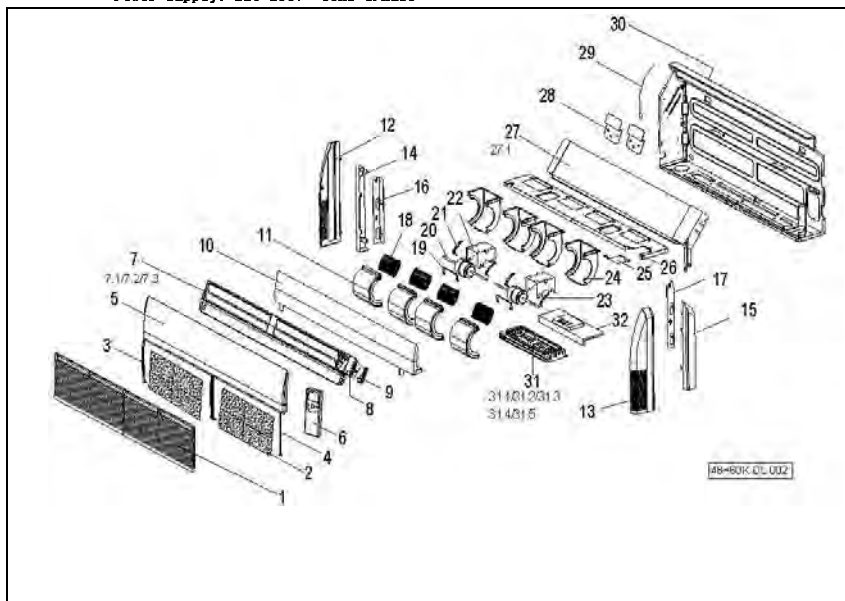


## Exploded View Parts for Model

Sale model: PAC606FC-I

Power Supply: 220-230V~ 60Hz 1Phase

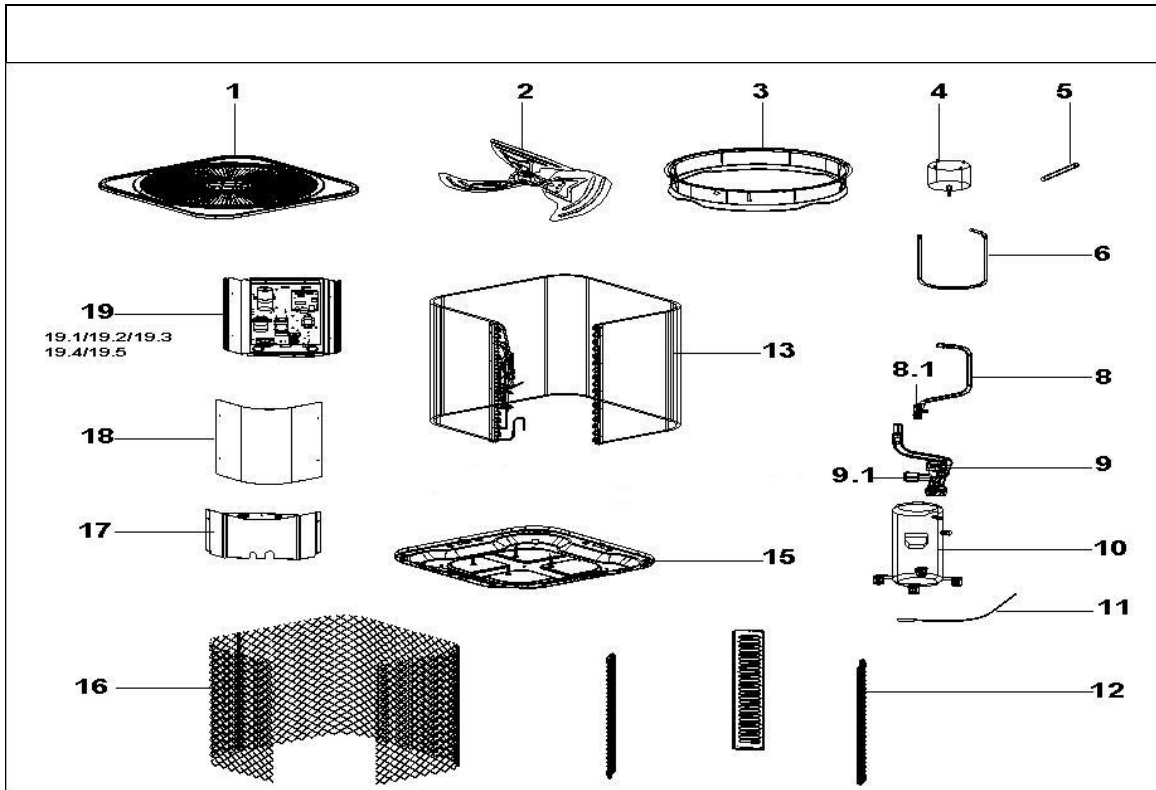


No.	Part Name	Quantity	BOM code
1	Air inlet grille assembly	2	201144690080
2	Air filter	4	201144690007
3	Filter right bracket	2	201244690003
4	Filter left bracket	2	201244690004
5	Top cover assembly	1	201244690010
6	Remote controller	1	203355091492
7	Air outlet assembly	1	201144690008
7.1	Louver motor (horizontal)	1	202400200104
7.1	Louver motor (horizontal)	1	202400200101
7.2	Louver motor (vertical)	1	202400200103
7.3	Display board assembly	1	201344790027
8	Display installation box	1	201144690001
9	Display panel	1	201144690000
10	Water collector	1	201244690016
11	Volute shell (above)	4	201144690032
12	Right cover	1	201144690067
13	Left cover	1	201144690066
14	Right sealed board	1	201144690069
15	Left sealed board	1	201144690068
16	Right installation board	1	201244290037
17	Left installation board	1	201244290036
18	Plastic fan	4	201144690011
19	Fan motor fixing board	2	201244590001
20	Asynchronous motor	2	202400401169
21	Fan motor axes clamp (right)	2	201280200006
22	Supporter assembly of fan motor	2	201244290040
23	Fan motor axes clamp (left)	2	201280200005
24	Volute shell (below)	4	201144690033
25	Pipe clamp board	1	201244690026
26	Middle beam assembly	1	201244690044
27	Evaporator assembly	1	201544790126
27.1	Pipe temperature sensor assembly	1	202301300111
28	Installation clamp	2	201244290015
29	Indoor temperature sensor assembly	1	202301300196
30	Chassis assembly	1	201244690047
31	Electronic control box assembly	1	203344690004
31.1	Electronic control box	1	201244290016
31.2	Main control board assembly	1	201344690001
31.3	Transformer	1	202300930220
31.3	Transformer	1	202300900552
31.4	Wire joint	1	202301450135
31.5	Fan motor capacitor	2	202401190019
32	Cover of electronic control box	1	201244290022

## Exploded View Parts for Model

Sale model: PAC606FC-0

Power Supply: 220-230V~ 60Hz 1Phase



No.	Part Name	Quantity	BOM code
1	Top cover assembly	1	201275790093
2	Axial flow fan	1	201200390014
3	Ventilation ring	1	201175490004
4	Asynchronous motor	1	202400400576
5	Wire guide pipe	1	201175490001
6	Discharge pipe assembly	1	201675890629
8	Gas valve assembly	1	201675790839
8.1	Valve body	1	201601600311
9	Liquid valve assembly	1	201675390758
9.1	Valve body	1	201601600328
10	Compressor	1	201401430020
11	Compressor wire assembly	1	202475890081
12	Supporting board	1	201275790188
12	Supporting board	3	201275790116
13	Condenser assembly	1	201575790047
15	Chassis assembly	1	201275790092
16	Rear net	1	201175790015
17	Underside board assembly	1	201275690029
18	Side board	1	201275290130
19	Electronic control box assembly	1	203375890132
19.1	Installation plate of electric parts	1	201275490035
19.2	Installation plate of electric parts	1	201275790180
19.3	AC contactor	1	202300830076
19.4	Wire joint	1	202301450121
19.4	Wire joint	1	202301450131
19.5	Compressor capacitor	1	202401100994
19.5	Compressor capacitor	1	202401000213